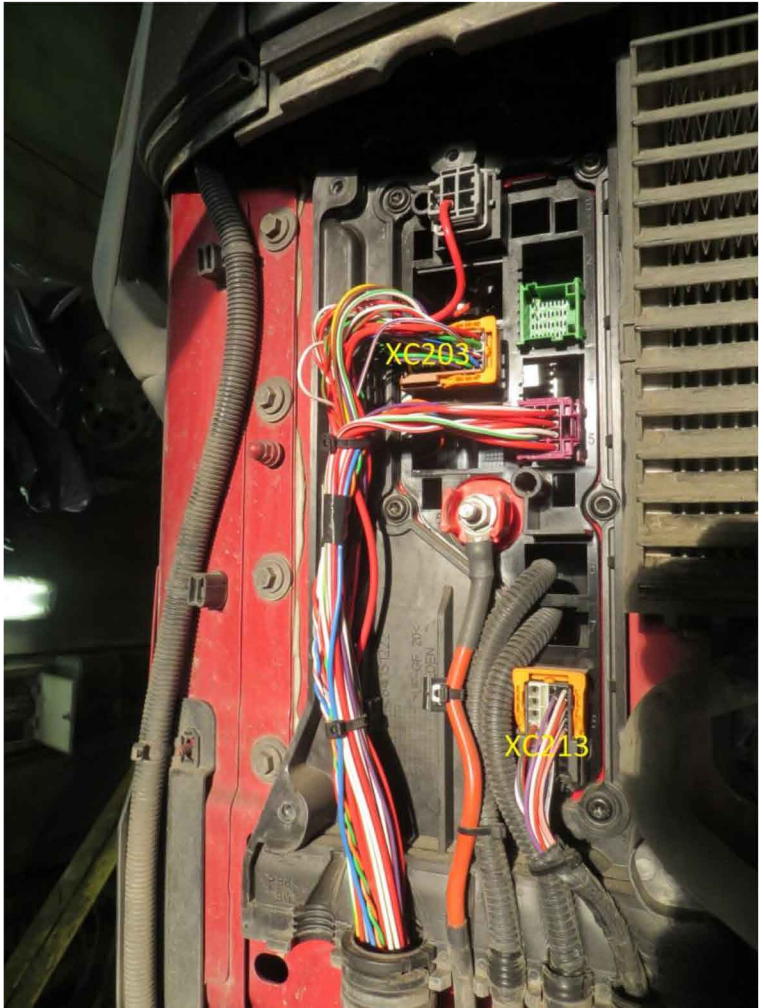
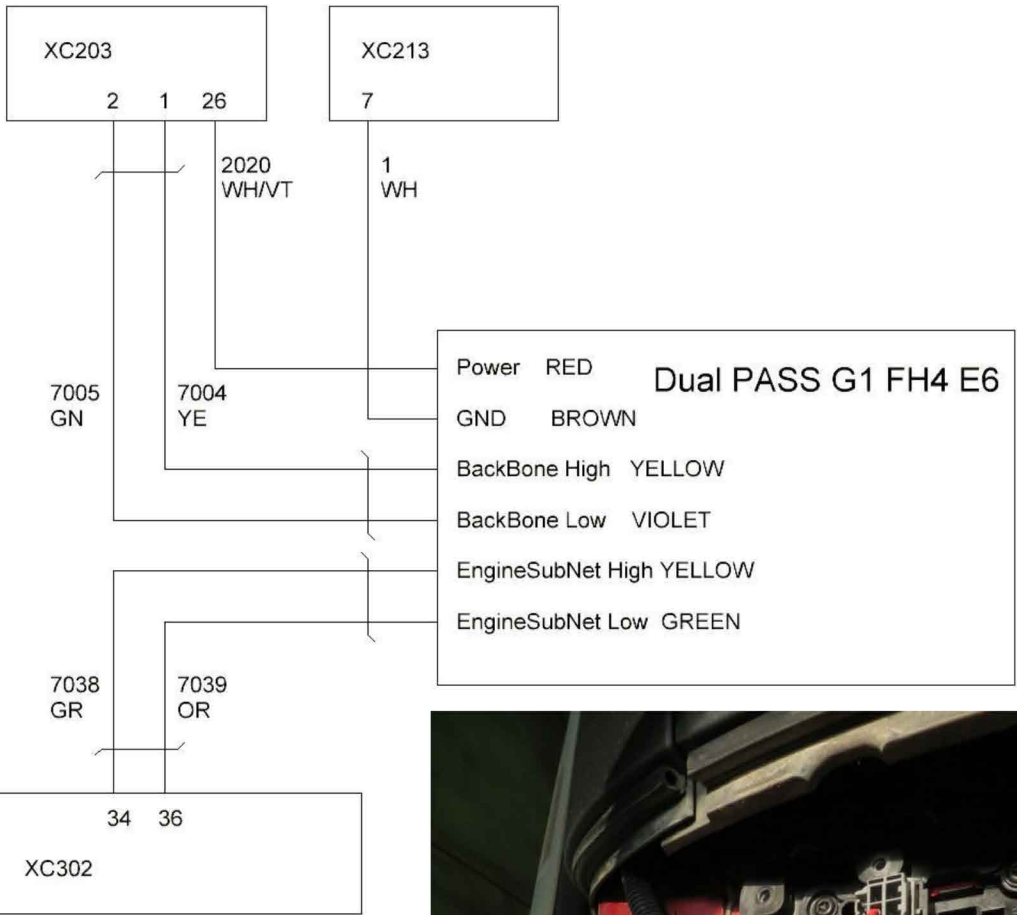
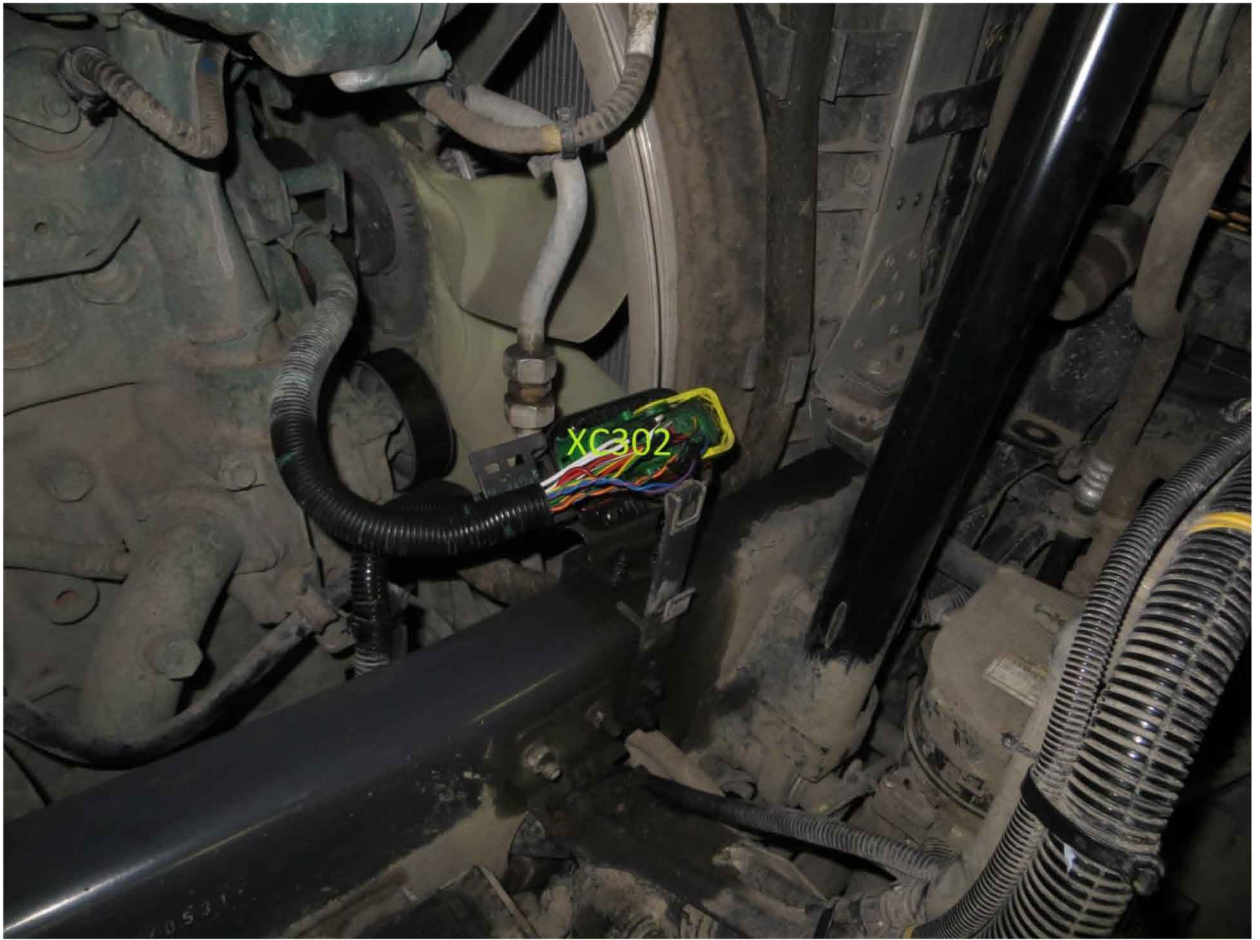


1. Connect to the sockets



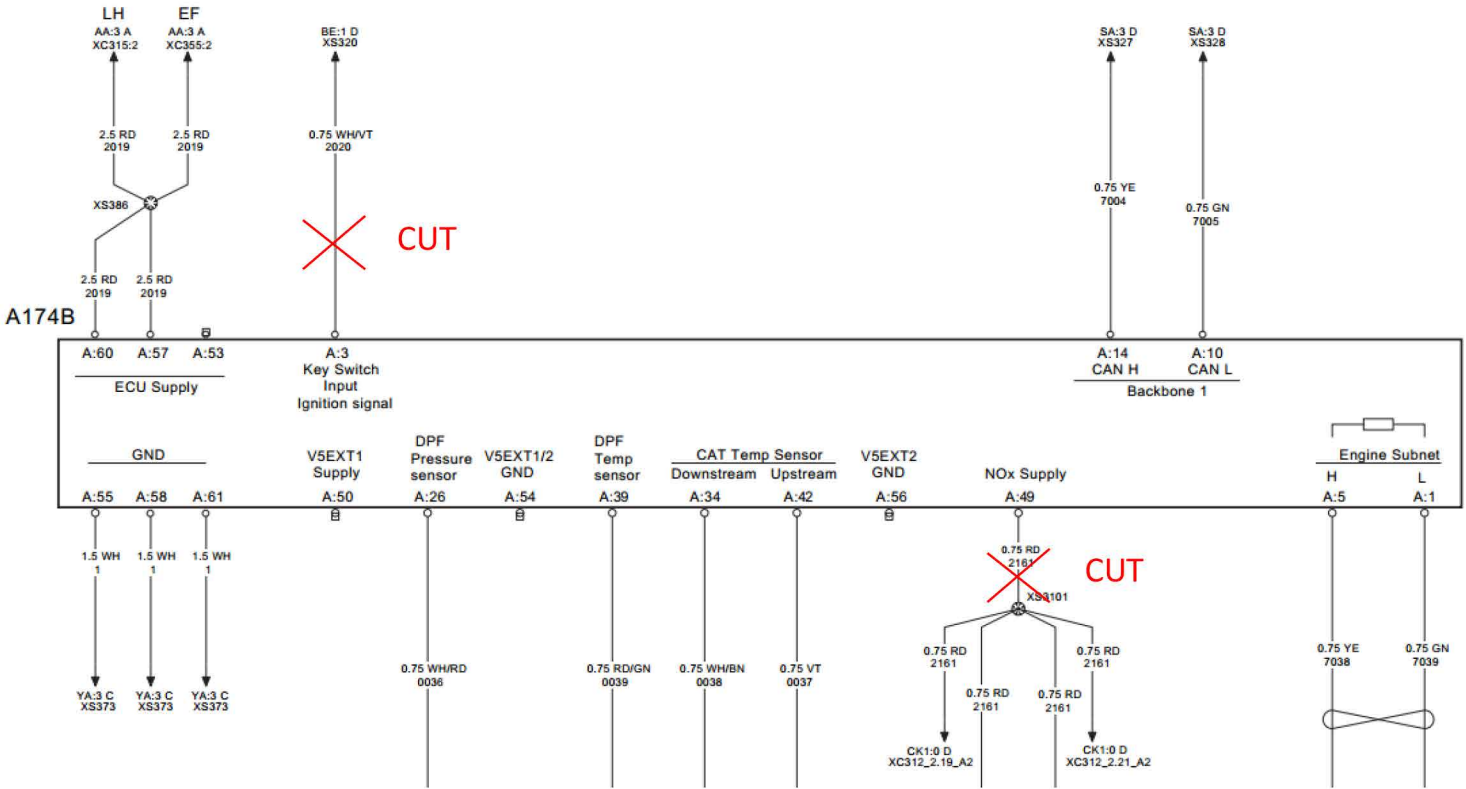


2. Disconnect Power from SCR module and NOx sensor

AFTER TREATMENT SYSTEM

EM-EU6

WIRING DIA



Connector of A174B

